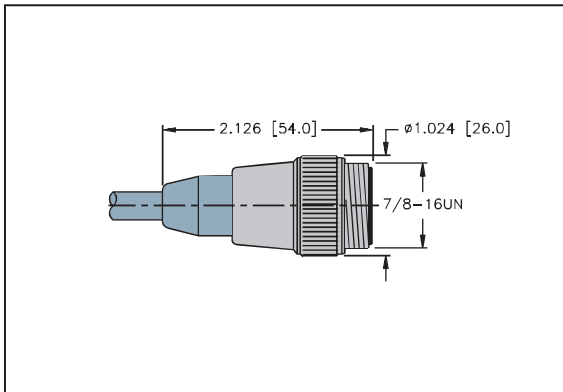


5-PIN, 7/8" Power Supply Cable – Connection Cable



ZMS5-10/PVC



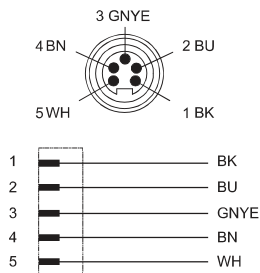
- 5-pin, 7/8" connector
- Protection class IP67
- Straight male
- Cable jacket: PVC, Gray
- Cable length: 10m

Technical parameter

Electrical parameter

Rated voltage	10...30VDC
Rated current	5.3-7.7A
Insulation resistance	≥10 ⁹ Ω
Noise impedance	≤5mΩ
Ambient temperature range	Connector[°C] -30...90°C Cable[°C] -40...80°C
Core cross-section	4*1.11+0.75 (PE) mm ²
Cable diameter	8.5mm
Cable color	Gray
Contacts	Metal, CuZn, Gold-plated
Type of protection	IP67, (screwed together)
Connector body	Plastic, TPU
Seal	Viton (FPM)
Mechanical lifespan	> 100 Mating cycles

Wiring diagram



5-PIN

Color	Male
BK	1
BU	2
GNYE	3
BN	4
WH	5