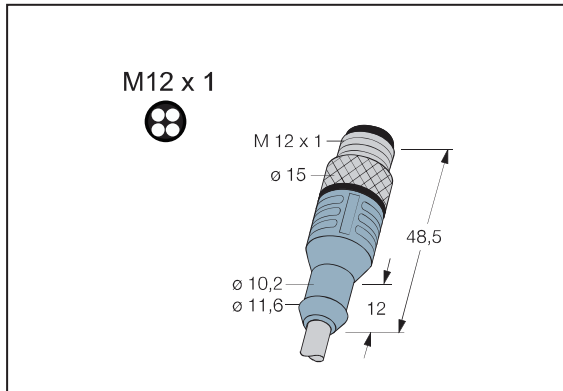


4-Pin, M12 Connection Cable

ZAS4-2/PVC



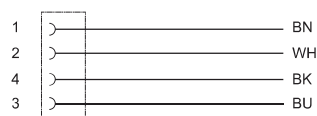
- M12 Connection Cable
- Male, 4-pin, Straight
- Protection class: IP67
- Cable material: PVC
- Cable length: 2m

Technical parameter

Electrical parameter

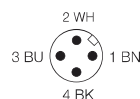
Rated voltage	10...30VDC	
Rated current	4A	
Insulation resistance	≥10 ⁹ Ω	
Noise impedance	≤5mΩ	
Ambient temperature range	Connector[°C]	-30...90°C
	Cable[°C]	-40...80°C
Core cross-section	0.25 (32x0.1) mm ²	
Cable diameter	5.25mm	
Cable color	Gray	
Contacts	Metal, CuZn, Gold-plated	
Type of protection	IP67, (screwed together)	
Connector body	Plastic,TPU	
Seal	Viton (FPM)	
Mechanical lifespan	> 100 Mating cycles	

Wiring diagram



M12 Circuit Diagram

Color	Female
BN	1
WH	2
BK	4
BL	3



M12 Male