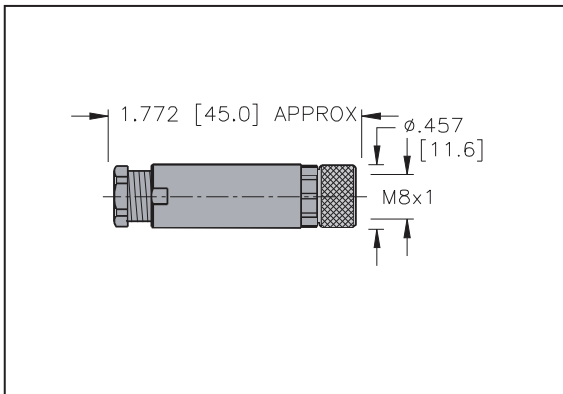


M8 Field-Wireable Connector

BKM4-0



- M8 Field-Wireable Connector
- Female , 4-pin, Straight
- Plastic shell

Technical parameter

Electrical parameter

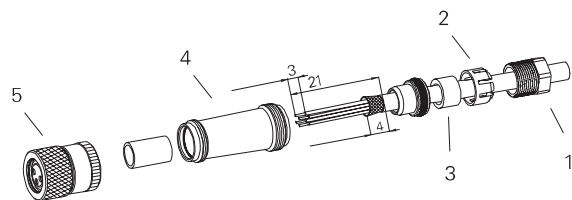
Rated voltage	10-30V
Rated current	4A
Insulation resistance	≥10 ⁹ Ω
Ambient temperature range	-40...+85°C
Cable diameter	3...5 mm
Contacts	CuZn-NI
Seal	Viton(FPM)Plastic
Type of protection	IP67, (screwed together)
Coupling nut/screw	Nickel-plated
Core cross-section	4 x 0.25 mm ²

Wiring diagram

Contact assignment



M8 Female



- 1 = Clamp nut
- 2 = Clip
- 3 = Gasket ring
- 4 = Housing
- 5 = Female insert core