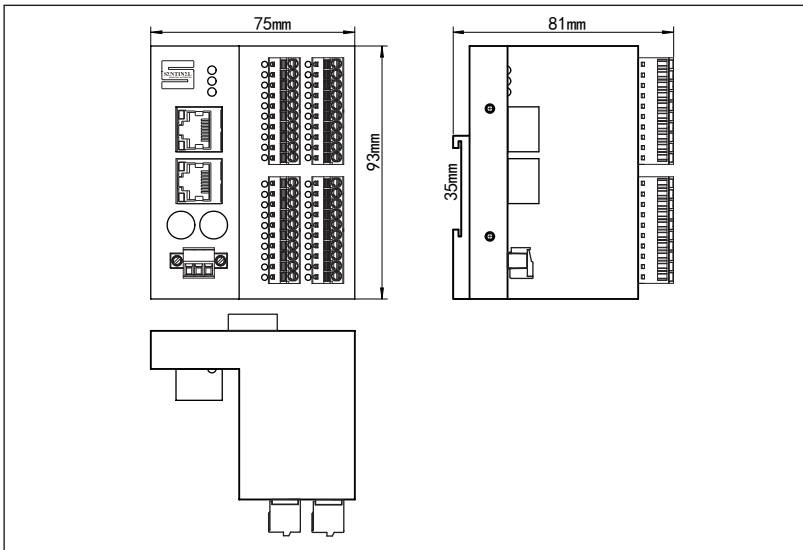


Compact IP20 I/O Station for **PROFI[®]**
INDUSTRIAL ETHERNET



32 Digital PNP/NPN inputs

CMPN-IM32-0001



- 32 Digital PNP/NPN inputs
- IO signal connection adopts pluggable shrapnel tightening terminal
- The power supply is connected with pluggable screw terminal strip
- 2 RJ45 ports for the Ethernet connection
- DIN guide rail installation
- Metal housing , Protection class IP20

Technical Parameter

Supply voltage 24VDC ± 10%
 Operating current < 75mA
 Maximum transmission rate 100Mbit/s
 electrical Isolation mode Optocoupler isolation

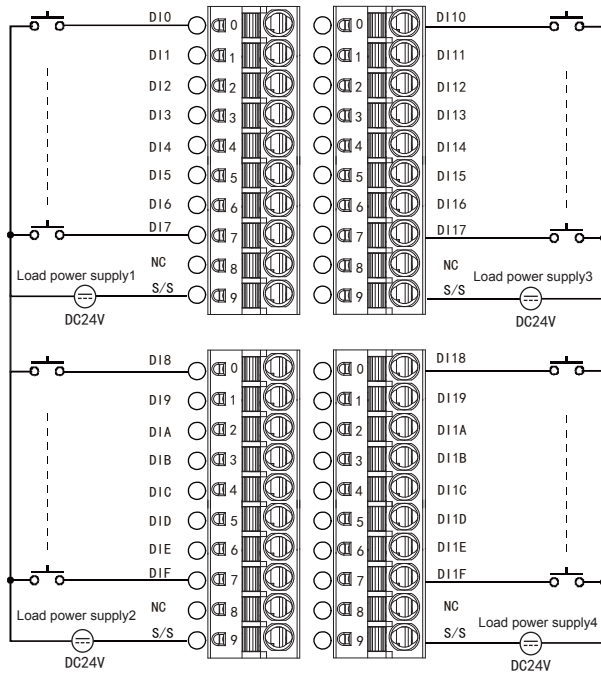
Input

Number of channels 32
 Input type PNP/NPN
 Input voltage 24VDC
 Switch threshold 2mA/4mA
 Input delay 2.5ms
 Maximum input current 6mA

Operating temperature 0-55°C

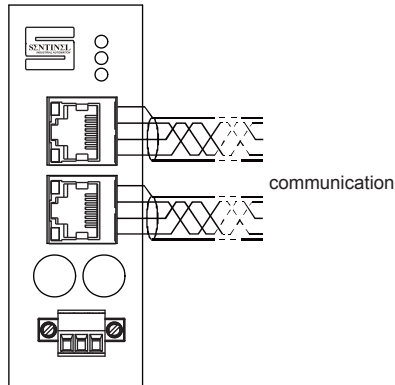
	BYTE	Bit7	Bit6	Bit5	Bit4	Bit3	Bit2	Bit1	Bit0
Inputs	0	DI7	DI6	DI5	DI4	DI3	DI2	DI1	DI0
	1	DI17	DI16	DI15	DI14	DI13	DI12	DI11	DI10
	2	DI17	DI16	DI15	DI14	DI13	DI12	DI11	DI10
	3	DI17	DI16	DI15	DI14	DI13	DI12	DI11	DI10

Wiring diagram



If s/s is negative, connect the PNP sensor
 If s/s is positive, connect the NPN sensor
 * Load power supplies 1 and 2, just connect one
 * Load power supplies 3 and 4, just connect one

Terminal wiring



- Indicator lights
- POWER
 - STATE
 - NC

POWER	<p>Green LED lights:</p> <p>ON: The module power supply is normal OFF: The module power supply is disconnected</p>
STATE	<p>Communication indicator light : RED</p> <p>Flash: Communication is normal OFF: Communication is abnormal</p>
NC、0V	NOT USE (LED OFF)
DI0 to DI17、 DI10 to DI11F	<p>Input indicator light : Yellow</p> <p>ON : Input active OFF: Input inactive</p>

Communication

RJ45 pin assignment	RJ45 plug
1. YE 2. OG 3. WH 4. N/C 5. N/C 6. BU 7. N/C 8. N/C	 12345678

Power Supply

