

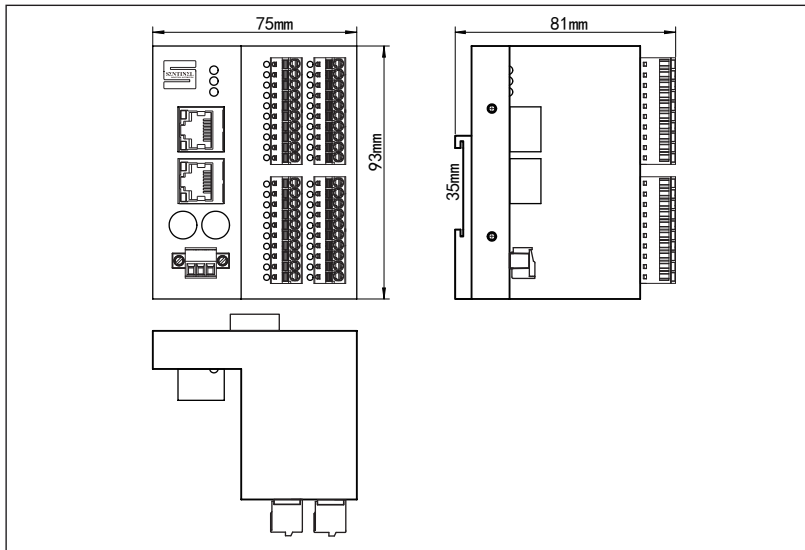
Compact IP20 I/O Station for



16 Digital PNP/NPN inputs

16 Digital outputs

CMPN-IOM16-0001



- 16 Digital PNP/NPN inputs
- 16 Digital Outputs, 0.2A per output
- IO signal connection adopts pluggable shrapnel tightening terminal
- The power supply is connected with pluggable screw terminal strip
- 2 RJ45 ports for the Ethernet connection
- DIN guide rail installation
- Metal housing, Protection class IP20

### Technical Parameter

Supply voltage	24VDC ± 10%
Operating current	< 75mA
Maximum transmission rate	100Mbit/s
Electrical Isolation mode	Optocoupler isolation

#### Input

Number of channels	16
Input type	PNP/NPN
Input voltage	24VDC
Switch threshold	2mA/4mA
Input delay	2.5ms
Maximum input current	6mA

#### Output

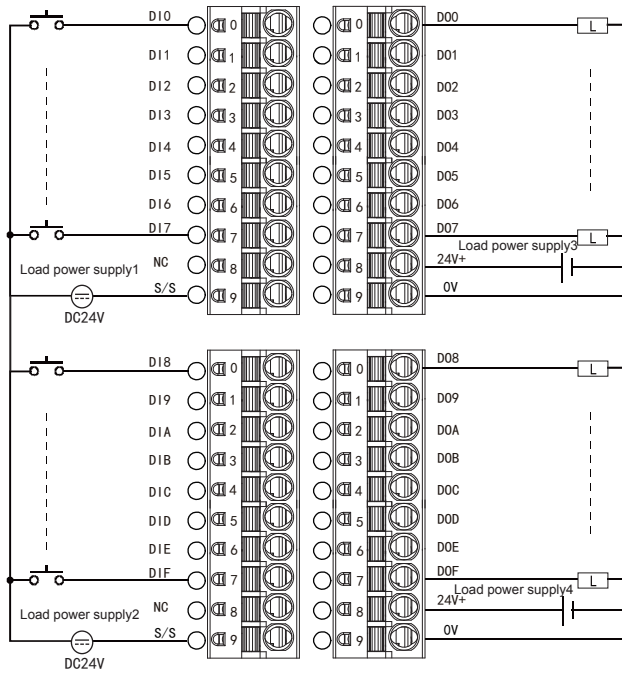
Number of channels	16
Output Voltage	24VDC
Output current	0.2A/channel, Except for short circuit
Load type	Resistance load、 Inductive load、 Indicator light

Operating temperature	0-55 °C
-----------------------	---------

	BYTE	Bit7	Bit6	Bit5	Bit4	Bit3	Bit2	Bit1	Bit0
Outputs	0	D07	D06	D05	D04	D03	D02	D01	D00
	1	D0F	D0E	D0D	D0C	D0B	D0A	D09	D08
Inputs	0	D17	D16	D15	D14	D13	D12	D11	D10
	1	D1F	D1E	D1D	D1C	D1B	D1A	D19	D18

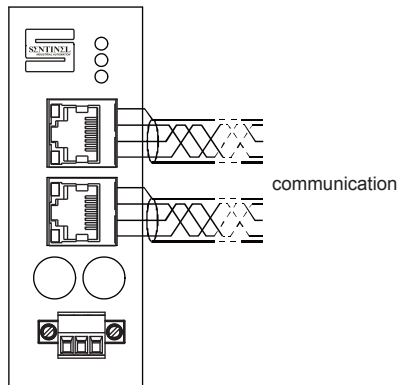


### Wiring diagram



If s/s is negative, connect the PNP sensor  
 If s/s is positive, connect the NPN sensor  
 \* Load power supplies 1 and 2, just connect one

### Terminal wiring



- Indicator lights
- POWER
  - STATE
  - NC

POWER	Green LED lights: ON: The module power supply is normal OFF: The module power supply is disconnected
STATE	Communication indicator light : RED Flash: Communication is normal OFF: Communication is abnormal
NC、0V	NOT USE (LED OFF)
24V+	Load power indicator light, green ON: The load power supply is normal OFF: The load power supply is disconnected
D10 to D1F、 D00 to D0F	Input/Output indicator light : Yellow ON : Input/Output active OFF: Input/Output inactive

### communication

RJ45 pin assignment	RJ45 plug
1. YE 2. OG 3. WH 4. N/C 5. N/C 6. BU 7. N/C 8. N/C	 12345678

### Power Supply

